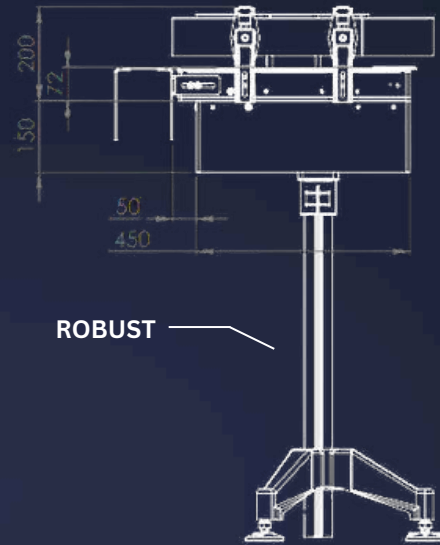


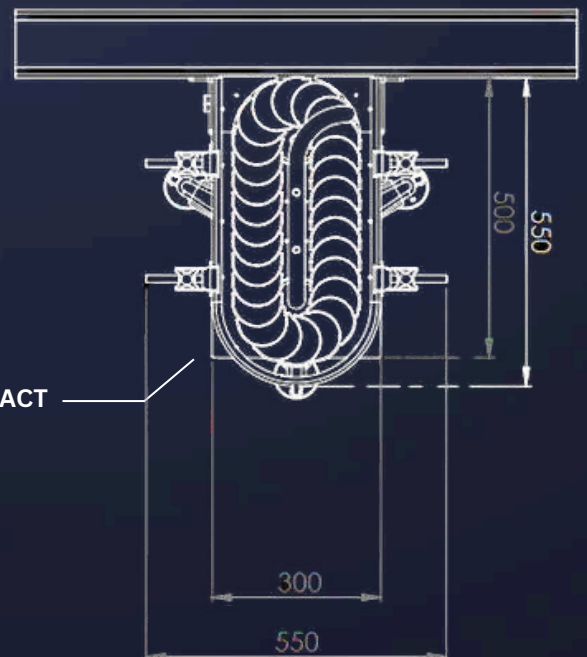
Scrap accumulation table.



AUTONOMOUS



ROBUST



COMPACT

FEATURES :

- Processes up to 8 bottles of 75cl
- Continuous or piloted operation
- Variable speed in 3 levels
- Jam detection
- Power supply: 230VAC single-phase 50Hz
- Compatible with XT-EJECTOR.1